



FITTING INSTRUCTIONS FOR

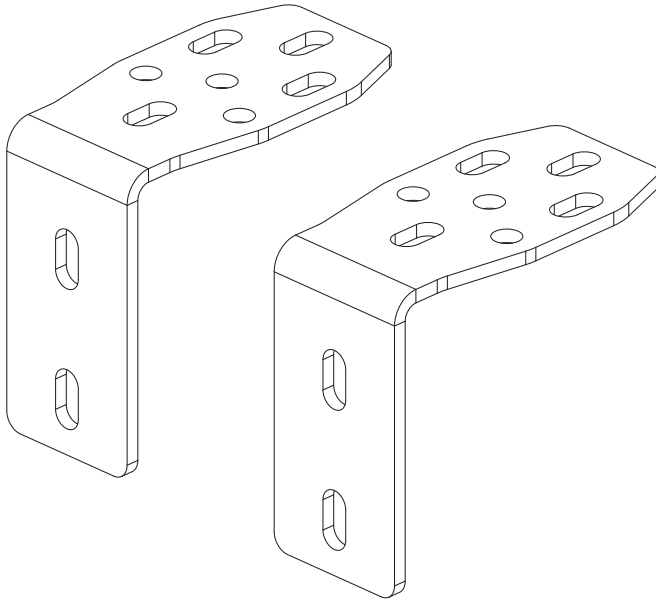
# Universal Awning Bracket Set

SKU

**KS0054**

COMPATIBILITY

**Rhino-Rack, ROLA, Yakima, Thule, Cross Bars**



## Included contents

QTY	COMPONENT
2	Awning Bracket
4	M8 Tee Bolt
4	M8 Nyloc Nut
4	M8 x 24 x 2.0 DIN Washer



**Time**

10 minutes/ Few sips of beer

For further information contact KAON on **07 3180 1470** or [info@kaon.com.au](mailto:info@kaon.com.au)

# Let's get to work.

---

## Preparation

1. Consider where you want your awning located and how the brackets will need to be positioned to achieve this. The brackets can be placed with the fold going upward or downward to achieve your desired head height / roof clearance.



---

## Attaching the Awning to the Brackets

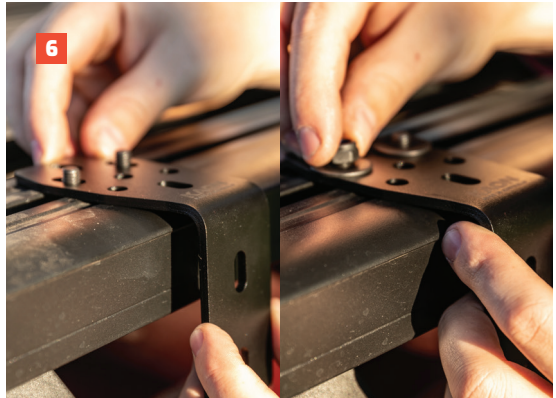
2. It's best if we get the Awning Brackets attached to the awning first. Due to the sheer number of awning variations, we can't supply the hardware for this. So if you don't have the required hardware on hand, a trip to the shops may be in order.
3. Most awnings use a channel system, so insert the bolts into the channel and slide them into position. Each bracket requires either one or two bolts and nuts in the each channel.
4. Loosely tighten each, and check that the bracket is sitting square with the awning before tightening with a socket. Repeat for the other bracket.



---

## Installing the Brackets to the Roof Rack

5. Place the tee bolts in the outer channel of the roof rack, and slide them into position.
6. Place the brackets with the awning attached over the tee bolt threads. To get the awning in position, you may need an extra set of hands, so enlist the help of a mate if you can. Loosely attach with the washers and nyloc nuts, as pictured.
7. With the brackets loosely secured to the roof rack, ensure that the position of the awning is correct and does not foul on the doors. Once confirmed, fasten all the hardware completely.
8. That's it, you're done! All that's left to do is hit the road and find a nice sunny spot to put up your new awning.



## Bolt Torque

DIAMETER (mm)	5mm	6mm	8mm	10mm	12mm
NEWTON-METRES (Nm)	5 Nm	9 Nm	22 Nm	44 Nm	77 Nm



### Local Knowledge & Assistance

We know half the fun of building your dream 4x4 is getting your hands dirty. But we also know that sometimes, things don't go to plan. If in the pursuit to build the ultimate setup you find yourself off-track, we're here to help you get unstuck.

For further information call 07 3180 1470 or email [info@kaon.com.au](mailto:info@kaon.com.au)

Disclaimer: The products sold by KAON should not be modified, and are for use only on the vehicles specifically stated. KAON will not be liable for any damages arising out of the use or misuse of its products. It is the customers responsibility to ensure the products are safely and properly used and installed. KAON consistently seeks to improve its products and reserves the right to make changes to any product.