



FITTING INSTRUCTIONS FOR

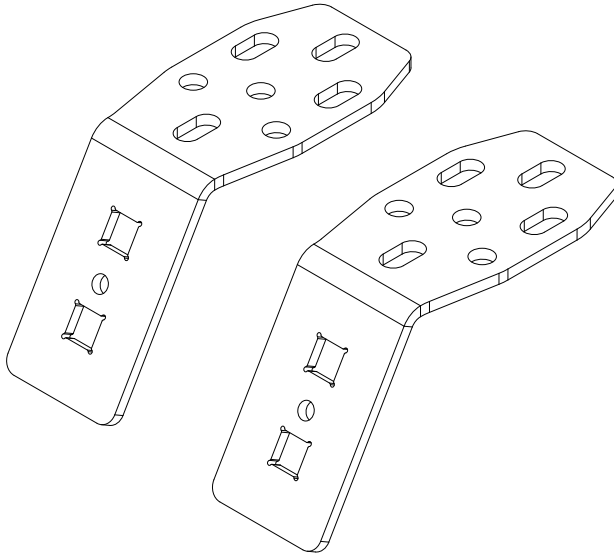
Shovel Holder Mount

SKU


KS0062

COMPATIBILITY

Rhino-Rack, ROLA, Yakima, Thule, Cross Bars



Included contents	
QTY	COMPONENT
2	Shovel Mount Bracket
4	SwitchBolt Tee Bolt
4	SwitchBolt Retainer
4	M8 Nyloc Nut
4	M8 x 24 x 2.0 DIN Washer

 Time	10 minutes/ Few sips of beer
---	------------------------------

For further information contact KAON on **07 3180 1470** or info@kaon.com.au

Bolt Torque					
DIAMETER (mm)	5mm	6mm	8mm	10mm	12mm
NEWTON-METRES (Nm)	5 Nm	9 Nm	22 Nm	44 Nm	77 Nm

Let's get to work.

Preparation

- 1. Attach your chosen shovel holder (e.g. Quickfst/ STOW iT Utility Holder) to the bracket with the fasteners supplied with the mount.



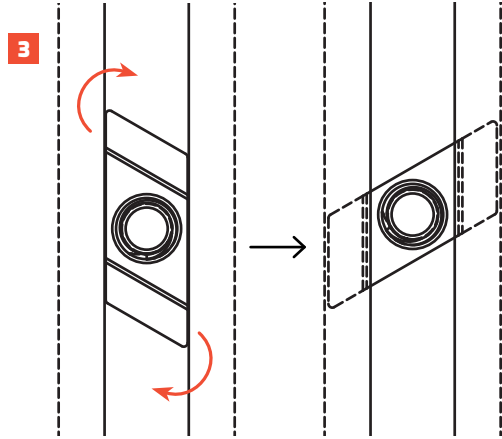
Installation

- 2. Place the SwitchBolts in the outer channel of the roof rack, and slide them into position.



Installation cont.

3. Once positioned, rotate each bolt 90 degrees in the channel until it sits flush against the sides, as pictured.
4. Secure the SwitchBolt's position by placing a retainer over the top.
5. Place the supplied Shovel Mount brackets over the SwitchBolt threads, and loosely attach with the washers and nyloc nuts, as pictured.
6. With the brackets loosely in position, confirm that the spacing between them matches the length of the shovel being used. Once confirmed, fasten completely.
7. That's it, you're done!
You can now secure your shovel to your roof rack, for quick and easy access.





Local Knowledge & Assistance

We know half the fun of building your dream 4x4 is getting your hands dirty. But we also know that sometimes, things don't go to plan. If in the pursuit to build the ultimate setup you find yourself off-track, we're here to help you get unstuck.

For further information call 07 3180 1470 or email info@kaon.com.au

Disclaimer: The products sold by KAON should not be modified, and are for use only on the vehicles specifically stated. KAON will not be liable for any damages arising out of the use or misuse of its products. It is the customers responsibility to ensure the products are safely and properly used and installed. KAON consistently seeks to improve its products and reserves the right to make changes to any product.