



FITTING INSTRUCTIONS FOR

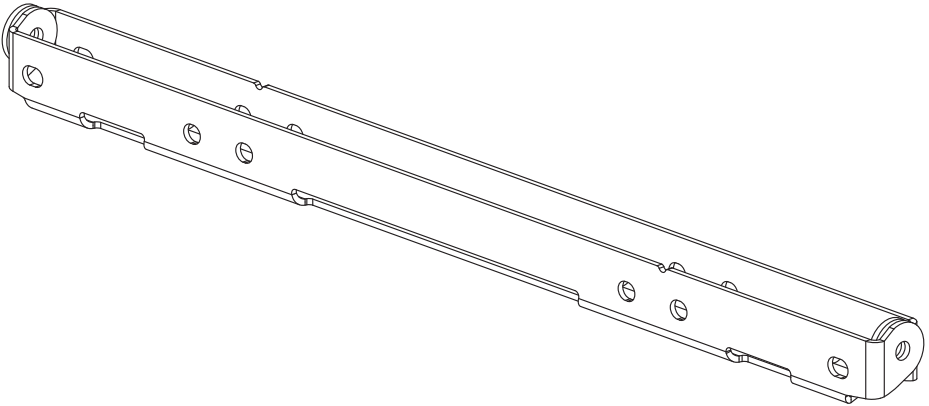
# Flip-Up Number Plate Mounting Bracket

SKU

**KS0069**

COMPATIBILITY

**All Vehicles**



## Included contents

QTY	COMPONENT
1	Number Plate Bracket Assembly (2pce)
2	M6 x 16 Socket Head Cap Screws
2	M6 Nyloc Nuts
2	M6 DIN Washers
4	M5 x 12 Flanged Bolts
4	M5 Flanged Nuts



**Time**

20 min / Few swigs of beer

For further information contact KAON on **07 3180 1470** or [info@kaon.com.au](mailto:info@kaon.com.au)

## Bolt Torque

DIAMETER (mm)	5mm	6mm	8mm	10mm	12mm
NEWTON-METRES (Nm)	5 Nm	9 Nm	22 Nm	44 Nm	77 Nm

# Let's get to work.

---

## Preparation

1. Assemble the bracket using the M6 screws, nuts and washers. Ensure the notches sit on opposite ends of the assembly, as pictured.
2. Adjust the resistance of the hinge by tightening the nyloc nut.
3. Remove the number plate from your vehicle, and retain the fasteners.



## Installation

1. Attach the number plate bracket to the vehicle using the fasteners that were originally holding the number plate.
2. Attach the number plate to the bracket using the provided M5 bolts and nuts.
3. Adjust the hinge so that it is firm enough to hold the number plate in place when flipped up.
4. Ta-da! Your number plate is now water-crossing friendly.





## **Local Knowledge & Assistance**

We know half the fun of building your dream 4x4 is getting your hands dirty. But we also know that sometimes, things don't go to plan. If in the pursuit to build the ultimate setup you find yourself off-track, we're here to help you get unstuck.

**For further information call 07 3180 1470 or email [info@kaon.com.au](mailto:info@kaon.com.au)**

Disclaimer: The products sold by KAON should not be modified, and are for use only on the vehicles specifically stated. KAON will not be liable for any damages arising out of the use or misuse of its products. It is the customers responsibility to ensure the products are safely and properly used and installed. KAON consistently seeks to improve its products and reserves the right to make changes to any product.