



FITTING INSTRUCTIONS FOR

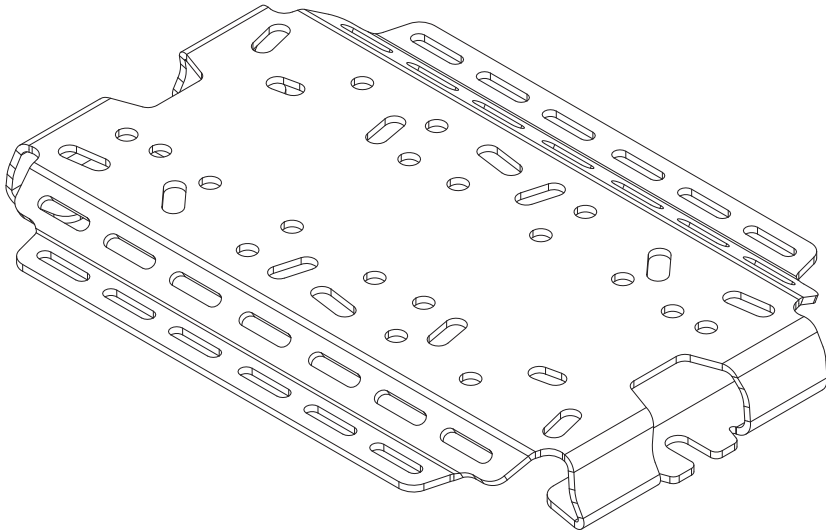
Universal Fuse Bracket

SKU

KS0729

COMPATIBILITY

Universal



Included contents

QTY	COMPONENT	QTY	COMPONENT
1	Battery Fuse Bracket	8	M4 x 16 Socket Head Cap Screw
2	M6 Flanged Nut	8	M4 x 9 x 0.8 DIN Flat Washer
2	M6 x 18 Washer	8	M4 Nyloc Nut
8	M6 x 16 Button Head Socket Screw	2	Self Tapping Screw



Time

The bracket takes less than a minute, but wiring time is dependant on your setup.

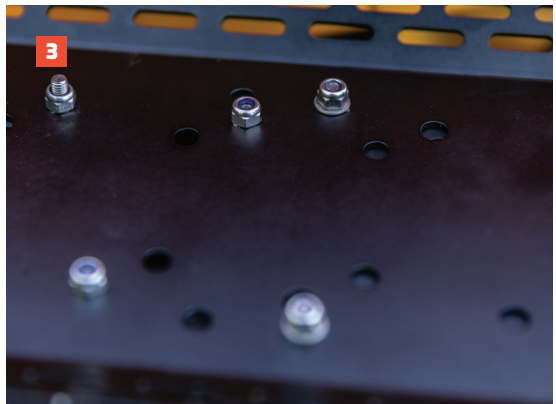
For further information contact KAON on **07 3180 1470** or info@kaon.com.au

Let's get to work.

Preparation

1. Before installing, test fit the Battery Fuse Bracket in the desired mounting position. You will need to ensure you have sufficient clearance for the bracket, fuses, and any cables.
2. Ensure that all surfaces are clean, and free of dust and debris.
3. First things first, you'll want to work out what fuses you're mounting, and in what configuration. Our bracket has holes for most common fuses. But should you find you want to run something else, it's made from aluminium so you can easily drill additional holes.

We've also provided enough stainless steel mounting hardware to suit most applications, with eight M4 bolts, washers and nyloc nuts.



Installation

4. For Universal Installation:

The Universal Fuse Bracket is suitable for mounting to any flat surface in your canopy, trailer, drawer system, or false floor. For this installation, we provide two self-tapping screws to secure it in your desired position.

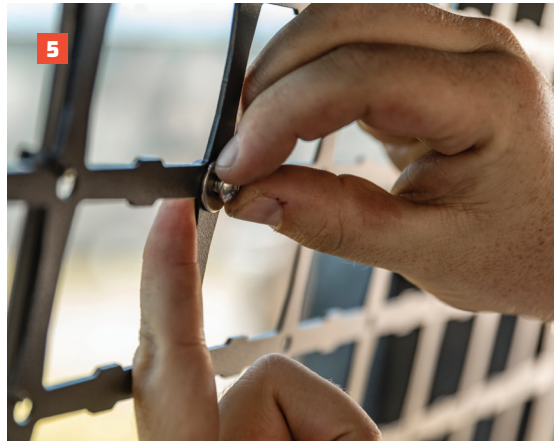
5. For Installation to KAON Molle Mesh:

The Fuse Bracket is also designed to mount easily to KAON Molle Mesh, found on Side Molle Panels, Cargo Fridge Dividers, and Standalone Shelves. For mounting to KAON Molle Mesh, loosely secure the provided M6 Button Head Screws, Washer and Nut to the mesh holes, as pictured. The Universal Fuse Bracket requires the screws to be spaced 4 holes apart.

6. The slotted mounting holes allow the bracket to slide over the screws into position. Ensure the washer is on the outer of the bracket, as pictured.

7. With the fuses affixed and bracket installed, tighten the hardware to secure.

8. That's it, the bracket install is done! But your wiring job has just begun. Our bracket has two ramps on each side with slots for cable management with zip-ties, to help make this job easier.



Bolt Torque

DIAMETER (mm)	5mm	6mm	8mm	10mm	12mm
NEWTON-METRES (Nm)	5 Nm	9 Nm	22 Nm	44 Nm	77 Nm



Local Knowledge & Assistance

We know half the fun of building your dream 4x4 is getting your hands dirty. But we also know that sometimes, things don't go to plan. If in the pursuit to build the ultimate setup you find yourself off-track, we're here to help you get unstuck.

For further information call 07 3180 1470 or email info@kaon.com.au

Disclaimer: The products sold by KAON should not be modified, and are for use only on the vehicles specifically stated. KAON will not be liable for any damages arising out of the use or misuse of its products. It is the customers responsibility to ensure the products are safely and properly used and installed. KAON consistently seeks to improve its products and reserves the right to make changes to any product.