



FITTING INSTRUCTIONS FOR

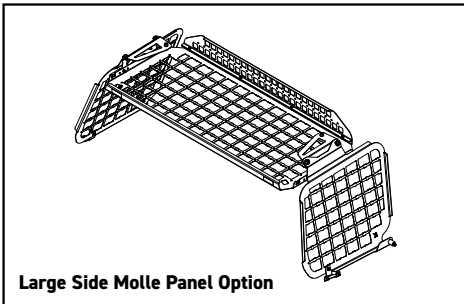
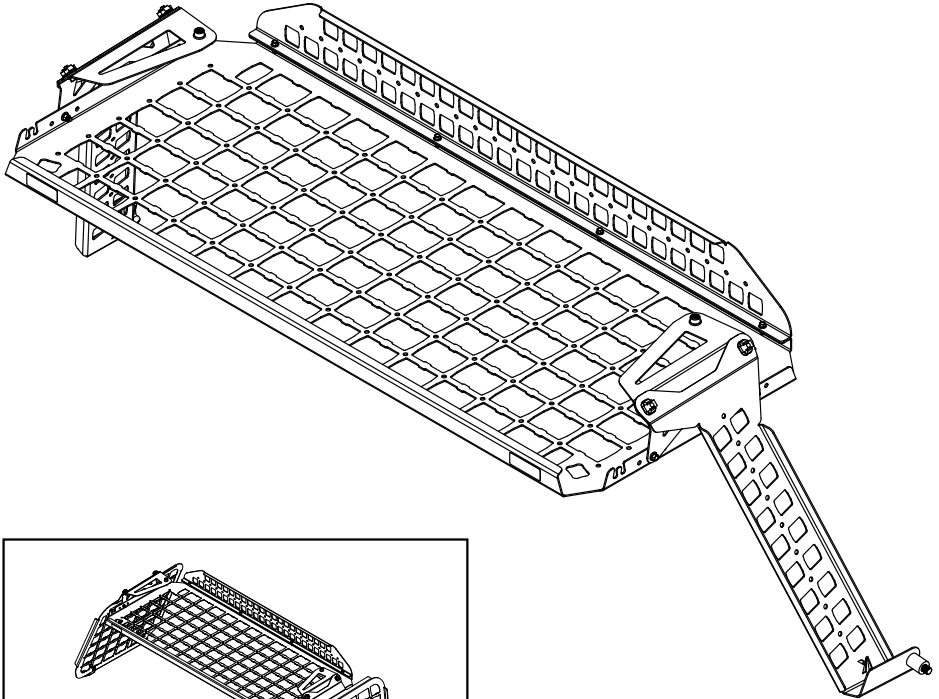
Standalone Rear Roof Shelf

SKU

KS0730

COMPATIBILITY

Toyota LandCruiser LC200



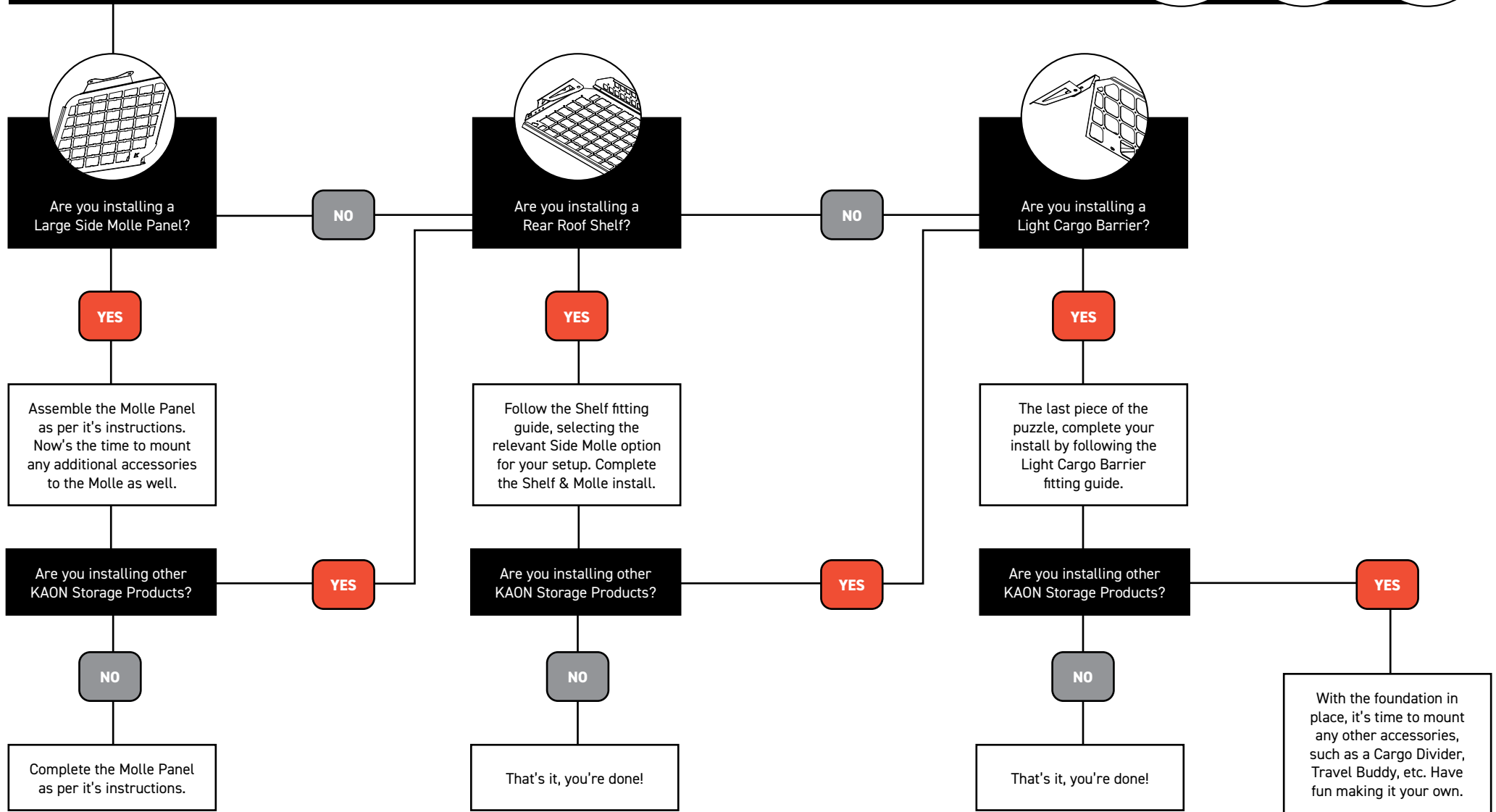
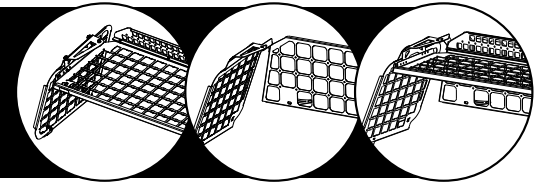
Large Side Molle Panel Option

Scan the **QR code** to watch the video installation guide,
or for further information contact KAON on **07 3180 1470** or info@kaon.com.au



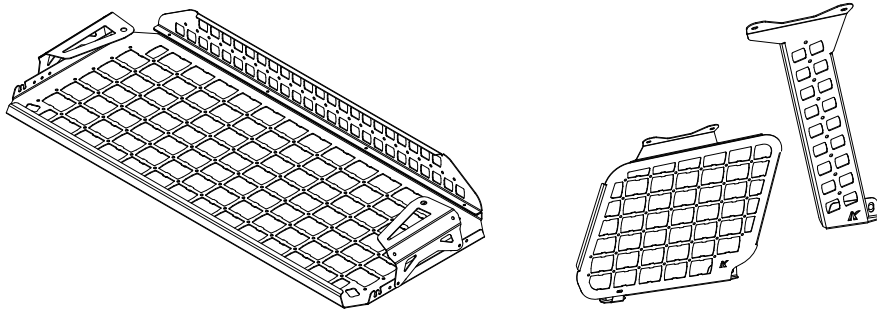
It all works together.

All our storage products work together, but there is a certain order to installing.
Let's work out the best order for your setup, shall we?



With your setup order sorted, let's get to the good part: installing. →

What's included.




You also need **KS0456 Small Side Molle Panels** OR **KS0457 Large Side Molle Panels** (packaged separately).


Included contents – Standalone Shelf

QTY	COMPONENT	QTY	COMPONENT
1	Standalone Shelf	4	M5 x 12 Flanged Hex Bolt G8.8
1	Rear Fence	4	M5 Flanged Nut
2	Handle Bracket (LHS & RHS)	4	M6 x 16 Flanged Hex Bolt G8.8
		4	M6 Flanged Nut

Optional included contents – Small Side Molle Panel

QTY	COMPONENT	QTY	COMPONENT
2	Small Molle Panel	4	Black TPU Nut Retainer
2	M10 x 1.25 x 40mm Hex Bolt	1	M6 x 50 Hex Bolt (Installation Tool)
2	M10 x 30 x 2.5 DIN Flat Washer	4	M6 x 16 Flanged Hex Bolt G8.8
2	25mm Aluminium Spacer	4	M6 Aluminium Nut Block

 **Tools** 22mm Hole Saw & Drill

 **Time** 45 minutes / One beer

Let's get to work.

Preparing the Vehicle

1. **If installing with the Large Side Molle Panels:** Follow the instructions included with the Large Side Molle Panels first. This will include the installation of the handle brackets. Once complete, skip to step 24.
2. Pry off the plastic cover on the rear grab handle mounts.
3. Use a screwdriver to squeeze on the metal clips to free the grab handle.
4. Squeeze the metal clips to free them from the opening. Set aside.
5. Ensure there is 2mm of clearance around the rectangular clip opening. If required, push the lining away, or slightly trimming the roof lining.



M6 Roof Nut Installation

IMPORTANT: Please read and understand the steps required to install and retain the M6 nut blocks in the roof. Refer to our Fitting Guide video (find a QR code on the cover) for more details.

6. The supplied M6 x 40 hex bolt is used to install the nut block and retainer in the roof cavity.
7. Place the retainer and nut block on the hex bolt as shown in the picture. The retainer will clip over the nut block to hold it in the roof cavity.
8. Insert the nut block into the rectangular opening in the roof. Rotate the block 90 degrees so that the raised spigot on the nut block locates in the rectangular opening.
9. While pulling back on the bolt, insert one leg of the retainer and push to clip in place.
10. Push the other leg up into the cavity and ensure that retainer is securely held in the roof and that the aluminum nut is held in place properly. Pull on the hex bolt to confirm that the aluminum nut is position properly and held securely.
11. Unwind and remove the bolt.
12. Repeat on the other side.



Preparing the Bottom Mount

13. With the nuts installed in the roof, next we need to drill a hole to access the lower captive nut in the vehicle frame, which sits behind the plastic trim. We've supplied a template for this, but first ensure that you check the scale on your template as shown. Once confirmed, cut the template out for each side.
14. With the template cut out, position it on the vehicle using tape or blue tack as shown. Align the bottom edge with the crease in the plastic, and the top edge to the trim line on the C-pillar. Ensure there is no air gap in the middle of the template.
15. Once the template is secured in place, drill a hole so the 25mm spacer can pass through. Align a 22mm hole saw to the centre mark and drill your hole. We recommend removing the paper once you have a pilot hole started.
16. Repeat on the other side.



Molle Panel Installation

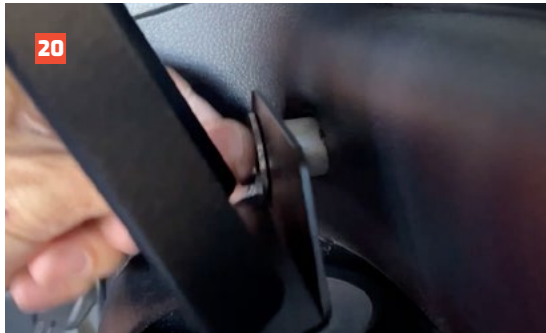
Follow the instructions to suit your configuration below.

To install the Large Side Molle Panel:

17. You will have already installed the Large Side Molle Panel and Standalone Shelf handle bracket as per the instructions provided. Skip to step 24.

To install the Small Side Molle Panel:

18. Ensure you have the correct panel and Standalone Shelf handle bracket for each side. The nutsert on the handle bracket should point towards the front of the vehicle, and the Molle panel should be oriented as pictured.
19. Place the M10 bolt, washer and 25mm spacer on the the bottom mounting point of the Small Molle Panel, as shown.
20. Thread the bolt/spacer through the hole we drilled in the trim before loosely tightening into the captive nut behind.
21. Sandwich the Shelf Handle Bracket over the top of the Small Molle Panel as shown. Carefully align the M6 bolts with the holes in the roof, making sure not to push the captive nuts out of the retainers.
22. Make any necessary adjustments to the Small Molle Panel and Handle brackets before tightening all bolts.
23. Repeat on the other side.



Preparing the Shelf

24. Attach the rear fence to the shelf using M5 nuts and bolts.

25. Tighten to secure.

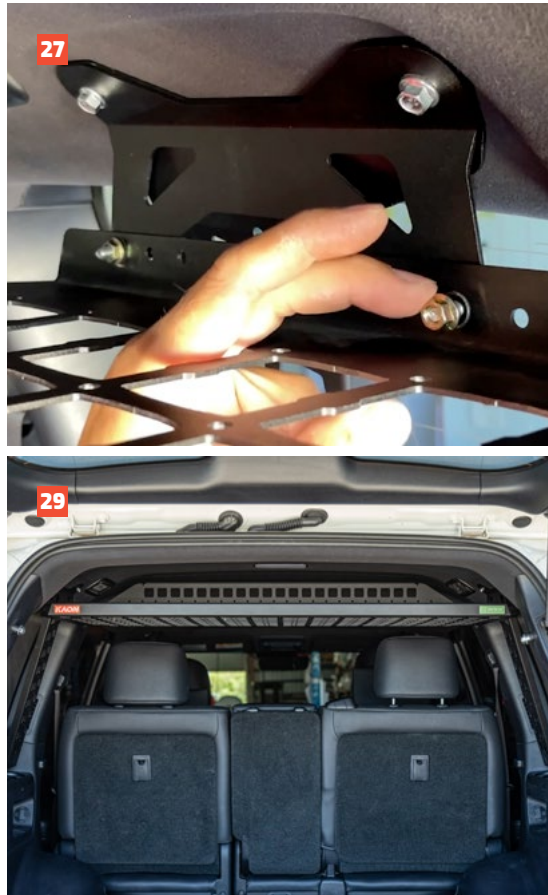


Shelf Installation

26. With all the panels and brackets up, it's time to install the shelf itself. Whilst this can be done on your own, you may find it easier to ask a mate for help.
27. Use the M6 bolts and nuts to install the shelf to the bracket. There are a couple of positions for adjustment in your shelf positioning.
28. With the shelf position confirmed, tighten all the bolts.
29. That's it! Your new shelf is able to hold a recommended maximum load of 10kg. It also has some handy hooks to hang bags, and twin bottle openers on each side.

If you're adding a **Light Cargo Barrier**:

30. Follow steps 15-20 in the Light Cargo Barrier instructions to assemble and install.



This page is intentionally left blank.

NOTICE

We cannot confirm compatible fitment of this shelf with child restraints, due to the number of possible variations. Whilst it may work with your configuration, we recommend the use of a seat belt protector where any contact occurs between any seat belt or restraint and the shelf.

Bolt Torque

DIAMETER (mm)	5mm	6mm	8mm	10mm	12mm
NEWTON-METRES (Nm)	5 Nm	9 Nm	22 Nm	44 Nm	77 Nm



Local Knowledge & Assistance

We know half the fun of building your dream 4x4 is getting your hands dirty. But we also know that sometimes, things don't go to plan. If in the pursuit to build the ultimate setup you find yourself off-track, we're here to help you get unstuck.

For further information call 07 3180 1470 or email info@kaon.com.au

Disclaimer: The products sold by KAON should not be modified, and are for use only on the vehicles specifically stated. KAON will not be liable for any damages arising out of the use or misuse of its products. It is the customers responsibility to ensure the products are safely and properly used and installed. KAON consistently seeks to improve its products and reserves the right to make changes to any product.