



FITTING INSTRUCTIONS FOR

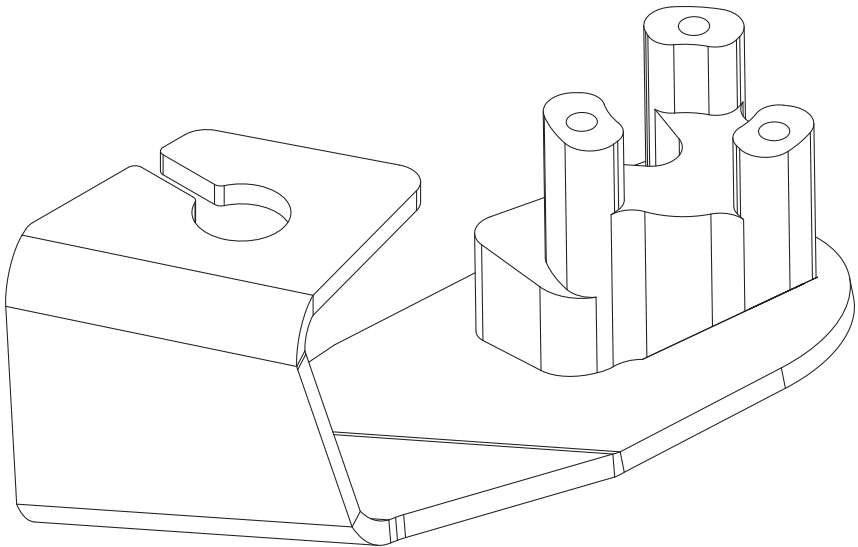
Side Mirror Antenna Mount (LHS)

SKU

KS0848

COMPATIBILITY

Ineos Grenadier



Included contents

QTY	COMPONENT	QTY	COMPONENT
1	Antenna Mount Bracket	3	M5 x 40 Socket Head Cap Screw
1	Antenna Mount Body	2	M6 x 16 Counter Sunk Socket Screw
2	Cable Tie		



Time

30 minutes / Half a beer

Scan the **QR code** to watch the video installation guide,
or for further information contact KAON on **07 3180 1470** or info@kaon.com.au



Bolt Torque

DIAMETER (mm)	5mm	6mm	8mm	10mm	12mm
NEWTON-METRES (Nm)	5 Nm	9 Nm	22 Nm	44 Nm	77 Nm

Let's get to work.

Preparing the Vehicle

1. There are two ways to install this antenna mount. The option we recommend is to remove the mirror and route the antenna cabling through the door panel into the cabin. This will create the cleanest installation of the antenna, and will be covered in these instructions.

A simpler but less concealed method is to install the bracket to the mirror without removing it from the vehicle, and then run the cable through the grommets in the A-pillar. If installing this way, ensure that tape is applied underneath the mirror to protect the vehicle's paint.

2. Unclip and remove the door's arm rest trim.
3. Unbolt the three centre bolts holding the door card in place. Set aside.
4. Remove the two bolts securing the edges — one on the left side of the door card and one on the base. Set aside.
5. Remove the small panel backing of the interior handle, exposing the factory bolt. Remove and set aside.



Preparing the Vehicle cont.

6. Unclip and lift off the vehicle's door card, starting with the base.
7. Disconnect the three plugs for the mirror, the power windows, and the puddle lights at the base. You will now be able to turn the door card 90 degrees and rest it in an elevated spot against the door for the remainder of the install.
8. Peel back the plastic film to access the three bolts holding the mirror in place.
9. Carefully unbolt and remove each bolt holding the mirror in place. Take care to ensure they don't fall in the door cavity. Ensure that you support the mirror during this process so it does not fall.
10. Tilt the mirror upwards and unhook to remove from the vehicle.



Preparing the Vehicle's Mirror

11. Use a trim tool to remove the trim at the base of the mirror.
12. Remove the three factory bolts surrounding the mirror's cable.



Installing the Antenna Mount Body

13. Place the antenna mount body inside the mirror's base.
14. Align the bolt holes and secure to the mirror using the long M5 bolts.
15. Tighten the bolts to the recommended torque settings.



Mounting the Antenna

16. It's easiest if we attach the mount the antenna to the bracket before installing it on the mirror. Place the antenna cable through the slotted opening in the bracket.
17. Secure the antenna base by threading on the nut.
18. Tighten the nut until secure and pull through the antenna cable to remove excess wire.



Installing the Antenna Mount Bracket

19. Once the antenna is mounted, lift up the foam backing on the mirror.
20. Run the antenna cable past the antenna mount body, up through the mirror and through the same hole in the foam the mirror's cable follows.
21. Attach the antenna mount bracket to the base of the mirror using the supplied M6 hardware, ensuring that the antenna cable is sitting in the notch on the bracket.
22. Tighten the bolts until secure.
23. Pull through the antenna cable until it is taut against the bracket. You will notice there is another small hole on the bracket, use this opening and a supplied cable tie to secure the antenna cable flush against the bracket.
24. Replace the foam backing.



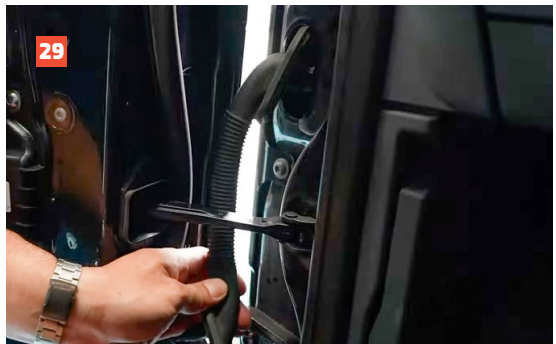
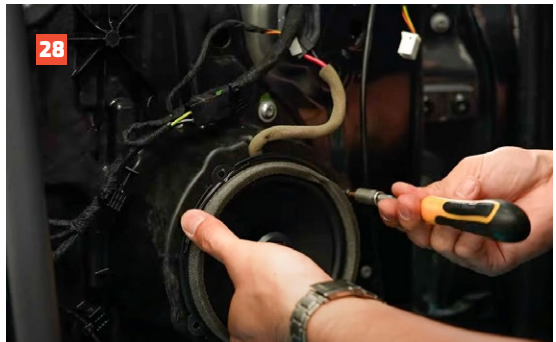
Reattaching the Mirror

25. Thread the cables back through the same opening in to the interior of the vehicle. Run the antenna cable through the lower opening and the mirror cable through the upper opening.
26. Attach the mirror to its original position. On the interior side of the door, pull through the mirror cable's rubber grommet until it clips back in place.
27. Secure the mirror to the vehicle again using the factory bolts, and tighten.



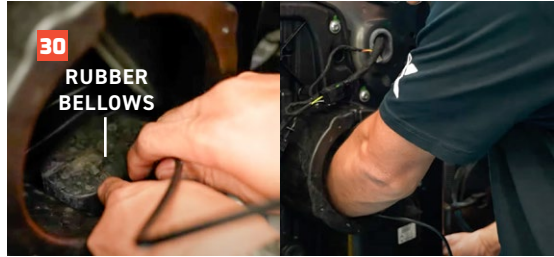
Running the Antenna Cable

28. The cleanest way to run the cable is behind the door's speaker. Start by disconnecting the speaker's plug and removing the four bolts holding it in place. Set the bolts and speaker aside.
29. There is a rubber tube transporting a wire loom from the inside edge of the door into the cabin. Unclip the tube on each end so that it hangs untethered.



Finishing the Install

30. Run the antenna cable in between the rubber bellows and the door card in the speaker's opening, as pictured. Use your hand to guide the antenna cable through the door and out the opening on the interior side.
31. Pull through the antenna cable and tuck into the recess at the top of the speaker's opening. Using a cable tie, secure the antenna cable to the wire loom above the speaker's opening. Trim the end of the cable tie.
32. Ensure that the antenna cable is tucked away in the door cavity and runs in front of the bellows before reconnecting the speaker.
33. Reattach the speaker using the factory bolts, and reattach the plug.
34. Run the antenna cable through the rubber tubing and into the cabin.
35. Re-secure the rubber tube at both ends.
36. Now you can route your cable! We'll leave that part up to you, as it will depend on where you want your radio.
37. With the antenna cable in place, it's now time to put the door back together. Start by reconnecting the plugs for the puddle lights, the power windows and the mirror.
38. Reattach the door trim and secure using the factory bolts.
39. Replace the arm rest and door handle trim.
40. That's it, you're done!





Local Knowledge & Assistance

We know half the fun of building your dream 4x4 is getting your hands dirty. But we also know that sometimes, things don't go to plan. If in the pursuit to build the ultimate setup you find yourself off-track, we're here to help you get unstuck.

For further information call 07 3180 1470 or email info@kaon.com.au

Disclaimer: The products sold by KAON should not be modified, and are for use only on the vehicles specifically stated. KAON will not be liable for any damages arising out of the use or misuse of its products. It is the customers responsibility to ensure the products are safely and properly used and installed. KAON consistently seeks to improve its products and reserves the right to make changes to any product.